

God pours out His love into our hearts.

Circle and count the hidden objects in the picture.



3 or 4 ?



3 or 4 ?



Children's Worship Bulletin™



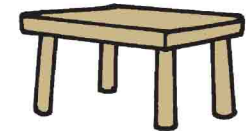
Ages 3+

June 14, 2020 • Romans 5:1-5

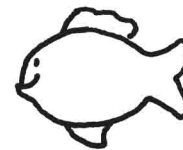
Rejoice in the Hope

What helps give us peace with God?

Write the beginning sound for each picture.



f				
---	--	--	--	--



We have peace with God,
through Jesus Christ.

Put the pictures of Jesus' life in order.



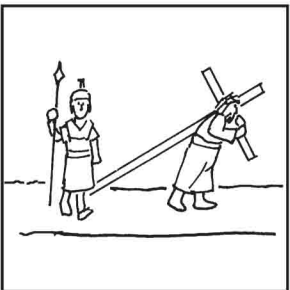
1



2



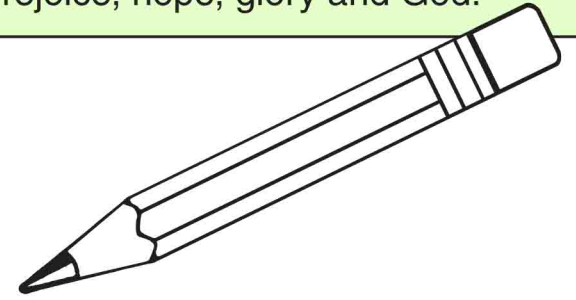
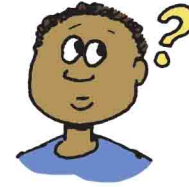
3



4

Why do we rejoice?

Circle the words rejoice, hope, glory and God.



We rejoice

in the hope

of the glory

of God.